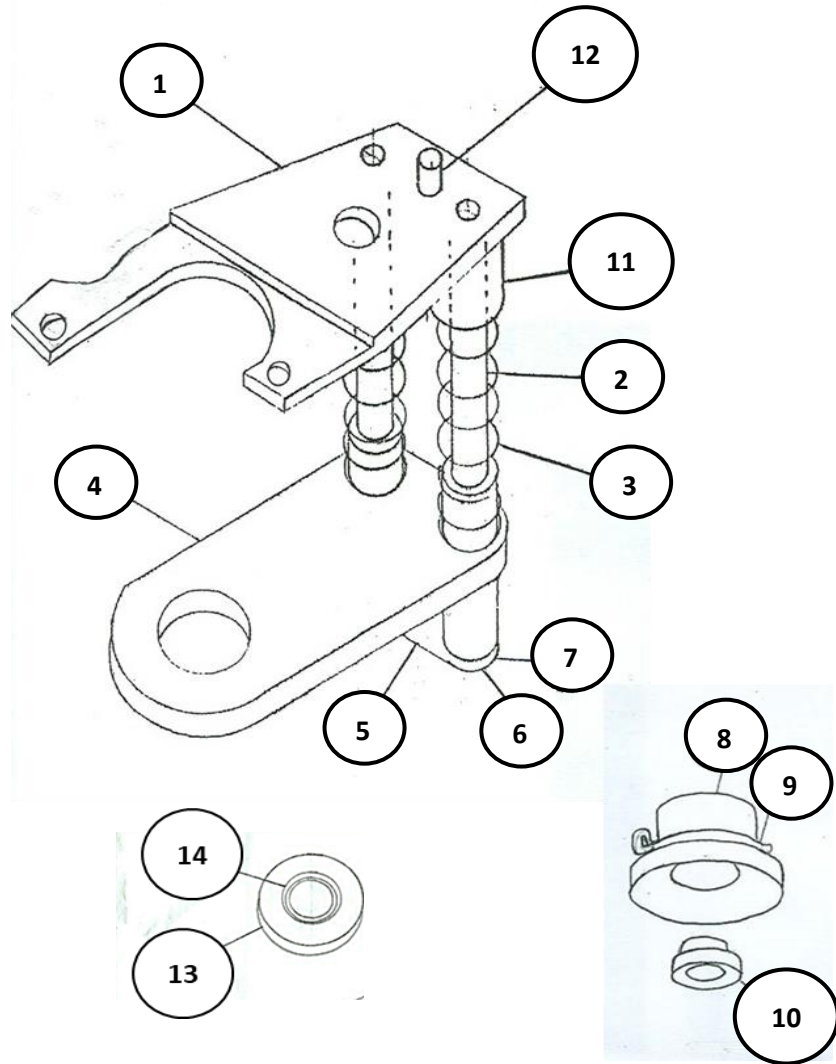


CG-101-CC&S-WC



COMPANY:

Enter Company Name

CONTACT:

Point Contact for Account

BILL OF MATERIAL

ITEM	REQ'D	PART NO.	DESCRIPTION
1	1	MB-101-CCS-S	Bowl Mounting Plate for CC&S
2	2	P-101-M	Medium Post 6-1/8" (CCS STD)
3	2	S-101-ST-5-1/2	5-1/2" LONG 0.062" (CCS STD)
4	1	PL-101-L	Long, Large C'bore (1" Shoulder Bushing) STD
5	1	RP-101-S	Retainer Plate Short
6	2	1/4" LW 18-8	Lockwasher
7	2	HEX HD 5/8	Bolt
8	1	CB-101-28-M	Centering Bell 28mm Meyer
9	1	CLIP-101	Clip Long 5/8" Tang
10	1	SR-15-A-73	28mm 73 Duro Natural
			<i>Suggested Aluminum or Glass</i>
11	2	CUP-101-	Spring Cup
12	1	SPACER CCS	Spacer for CC&S Bowl Mount
13	1	CONE-101-CCS	Cone CC&S Style
14	1	OR-101-126	O'Ring #126 for CC&S Style Cone Seal
		B-101-WS-1	1" Shoulder STD (Ref...Incl in PL Assembly)
			Subtotal
			Discount

This drawing is the property of Marks Machinery, Suwanee, GA. It is confidential and must not be copied, divulged, or submitted to others and is subject to return on demand.



Centering Guide for CC&S with Cone

Drg. By / Date

K.Wheeler / 01/12/21